



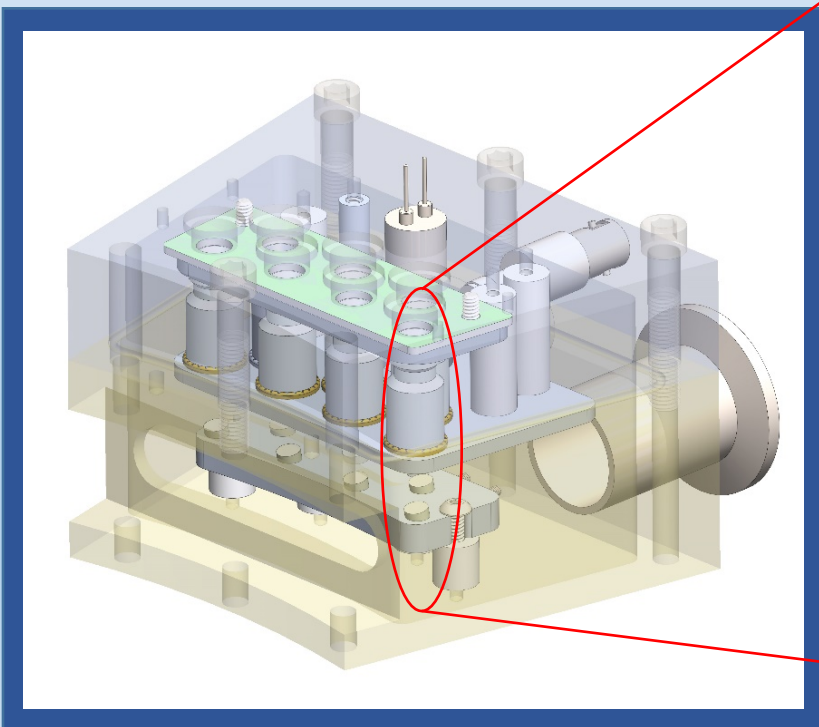
A Stationary Computed Tomography Module Using Photocathode-Driven X-Ray Sources



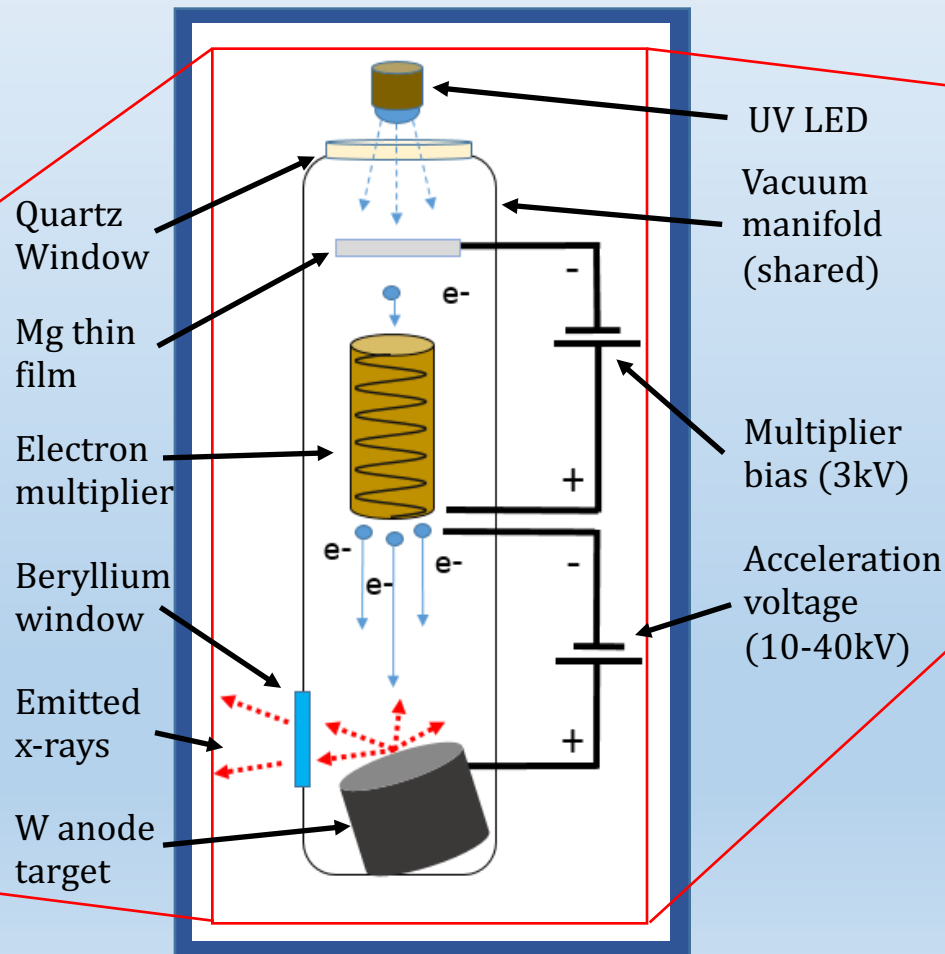
- Replace the single x-ray source in conventional tomography with an **array of rapidly pulseable sources**
- Electron generation achieved by **magnesium photocathodes**
- Instead of motion, sources are **turned on and off in series**

Session Title: John R. Cameron Young Investigator Symposium
 Date and Time: 07/30/2018 | 7:30AM — 9:30AM
 Presenting Author: Avilash Cramer

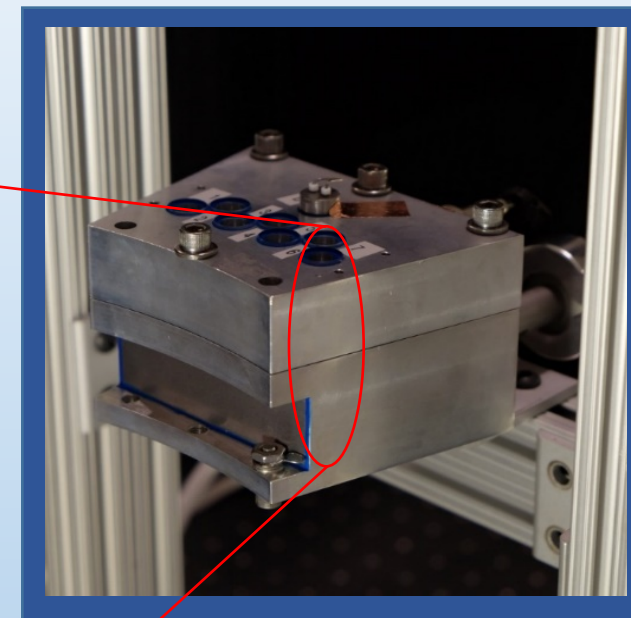
avilash@mit.edu



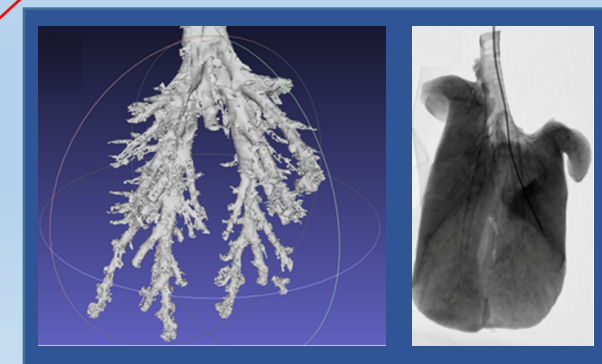
7 source prototype



Photocathode source schematic



Completed prototype



Test images (swine lung)